

SolarMax Energy Systems

The function of pack battery soft pack



Overview

What is soft-pack lithium-ion battery packaging?

Soft-pack lithium-ion battery packaging encloses battery cells in a flexible, laminated aluminum-plastic film instead of traditional hard casing. This design reduces weight and size, making it perfect for compact devices and electric vehicles.

The function of pack battery soft pack



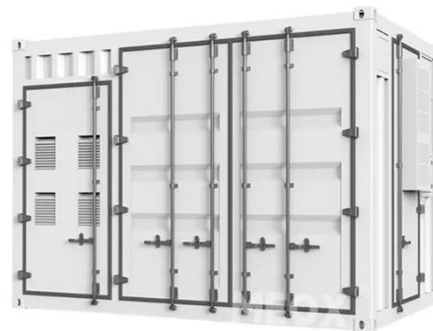
What is the difference between the soft pack and hard ...

Soft-pack lithium batteries are just liquid lithium-ion batteries covered with a polymer shell. The structure is packaged with aluminium-plastic film. In a ...

[Get a quote](#)

Battery Soft Pack Aluminum Foil

As one of the leading battery soft pack aluminum foil manufacturers and suppliers in China, we warmly welcome you to wholesale battery soft pack aluminum foil for sale here from our ...



[Get a quote](#)



Lithium Ion Battery Packaging: Soft Pack Design Guide

Soft-pack lithium-ion battery packaging encloses battery cells in a flexible, laminated aluminum-plastic film instead of traditional hard casing. This design reduces weight and size, ...

[Get a quote](#)

What is Soft-Pack/Aluminum

Casing Battery

Comparatively speaking, lithium-ion battery packaging is divided into two main categories, one is soft pack cells and the other is metal casing cells. Soft pack cells use ...

[Get a quote](#)



What is the difference between the soft pack and hard pack ...

Soft-pack lithium batteries are just liquid lithium-ion batteries covered with a polymer shell. The structure is packaged with aluminium-plastic film. In a safety hazard, the soft-pack battery will ...

[Get a quote](#)

The difference between iron and lithium battery soft pack and hard pack

Soft-pack lithium battery: The key materials used in soft-pack lithium batteries--positive materials, anode materials, and separators--have little difference from ...

[Get a quote](#)

Home Energy Storage (Stackble system)



- Product Introduction**
- Scalable from 10kWh to 50kWh
 - Self-Consumption Optimization
 - Integrated with inverter to avoid the compatibility problem
 - LFP battery, safest and long cycle life
 - Stackable design, effortless installation
 - Capable of High-Powered Emergency-Backup and Off-Grid Function

(PDF) BATTERY MODULE AND PACK ASSEMBLY ...

Our second brochure on the subject



"Assembly process of a battery module and battery pack" deals with both battery module assembly and ...

[Get a quote](#)

What is a soft pack battery and what are its advantages?-???

...

For electric vehicles, installing a soft pack battery can reduce the weight brought by the battery and improve the vehicle's range to a certain extent. In terms of appearance, it can ...

Our Lifepo4 batteries can be connected in parallels and in series for larger capacity and voltage.



[Get a quote](#)



Comparison of advantages and disadvantages of soft pack batteries

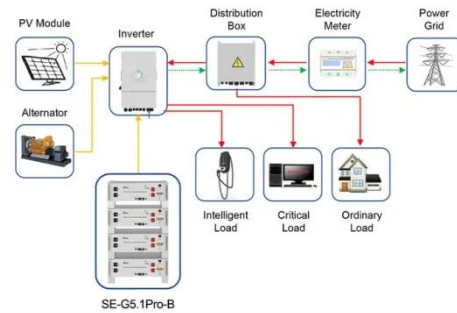
Lithium batteries can be divided into three packaging forms: cylindrical, square, and soft. Cylindrical and square batteries are packaged in steel and aluminum shells, respectively, while ...

[Get a quote](#)

Comparison of advantages and disadvantages of soft pack batteries

Due to its small internal resistance, ternary soft pack power batteries can greatly reduce battery self consumption, improve battery rate performance, generate less heat, and have a longer ...

[Get a quote](#)



Application scenarios of energy storage battery products



The Difference Between Soft Pack Lithium-ion Battery and Hard Pack

Lower Energy Density: Hard pack batteries generally have a lower energy density compared to soft pack batteries, resulting in a shorter battery life in certain applications. ...

[Get a quote](#)

The Various Packaging Methods Of Soft Pack Batteries And The ...

Soft packaging batteries often have aluminum plastic film that is too soft and has physical denaturation. Once there is a safety risk, the most common one is a burst of gas.



[Get a quote](#)

Battery Cell, Module, or Pack: What's the difference?



You'll learn about the distinctions between battery cells, modules, and packs, as well as how to identify these essential elements for optimal battery management.

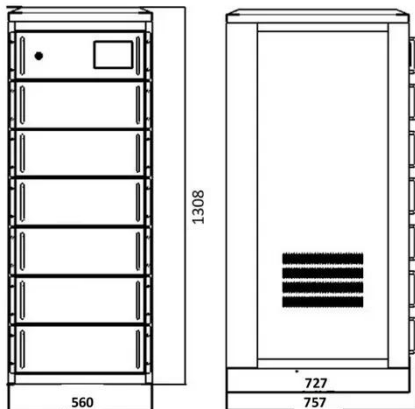
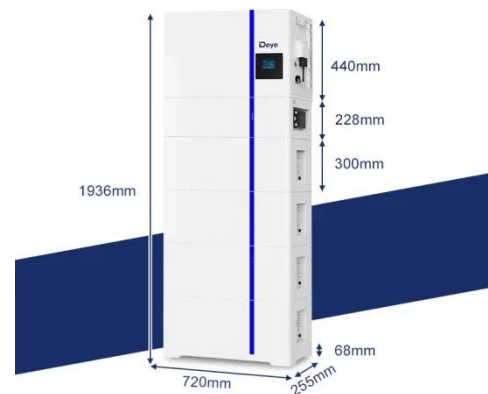
[Get a quote](#)

Fundamentals of Electric Vehicle Battery Pack Design

Description This NOS unit is about preparing for the most discussed field of electric vehicles and the emerging trends in battery usage. This NOS unit is about designing EV battery pack in ...

[Get a quote](#)

ESS



How Do Lithium Iron Phosphate Battery Packs Work and What ...

How does a lithium iron phosphate battery pack work? LiFePO4 battery packs function through electrochemical reactions where lithium ions move between the anode (typically made of ...

[Get a quote](#)

What is a soft pack battery and what are its ...

For electric vehicles, installing a soft

pack battery can reduce the weight brought by the battery and improve the vehicle's range to a certain ...

[Get a quote](#)



Automotive battery pack manufacturing - a review of battery to ...

Automotive battery packs used for electromobility applications consist of a large number of individual battery cells that are interconnected. Interconnection of the battery cells ...

[Get a quote](#)

The Rise of Ultra-thin Battery Cells: The Journey of 0.5mm Soft Pack

The 0.5mm thickness soft pack lithium battery is a prime example of this technology, offering a unique blend of form and function. II. The Anatomy of 0.5mm Soft Pack ...

[Get a quote](#)



Battery Pack Designer's Guide: From Beginner to Pro [With ...



Battery pack development progresses through systematic integration of electrochemical cells, module assemblies, and pack-level components. Each component level contributes specific ...

[Get a quote](#)

What is a soft pack battery and what are the advantages?

Literally speaking, a soft pack battery is a polymer shell that is covered with a liquid soft liquid lithium-ion battery. The biggest difference from other batteries is that the aluminum ...

[Get a quote](#)



The main advantages of soft pack lithium batteries

Polymer soft pack battery discharge function: polymer batteries use colloidal electrolyte, which has smooth discharge characteristics and higher discharge platform.

[Get a quote](#)

Battery Packs Explained: How They Work, Usage, And A ...

A battery pack, such as a power bank, charges from an external power supply like a wall socket. It stores energy in

chemical form. When needed, it sends electrical energy ...

[Get a quote](#)



Soft Pack Lithium Battery Package Technology

Therefore, the meaning and purpose of packaging lithium-ion battery is to use packaging materials with strong barrier properties to completely isolate the inside of the battery from the ...

[Get a quote](#)

POLYMER SOFT PACK LITHIUM BATTERY , by ...

A soft pack lithium battery literally covers a liquid, soft-liquid lithium polymer battery storage with a polymer shell. One of the biggest differences ...

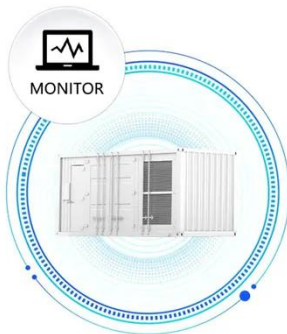
[Get a quote](#)



Iron lithium battery soft pack and hard pack lithium battery the

Lithium battery pack is a substitute product for metal lithium battery that

SUPPORT REAL-TIME ONLINE
MONITORING OF SYSTEM STATUS



appeared a few years ago. The main components of lithium iron battery pack are positive and negative ...

[Get a quote](#)

What is a soft pack battery and what are the advantages?

The pouch battery is structurally packaged with aluminum-plastic film. The biggest advantage of aluminum film packaging is that it has a certain flexibility. When a safety problem ...

[Get a quote](#)



Contact Us

For catalog requests, pricing, or partnerships, please visit:
<https://www.zenius.co.za>