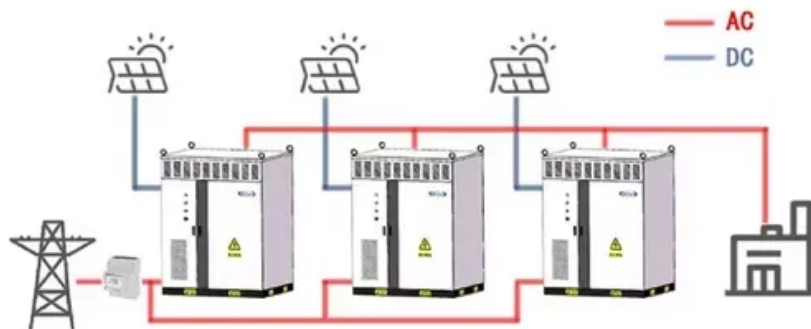


SolarMax Energy Systems

Somalia energy storage power supply price

WORKING PRINCIPLE



Overview

How much power does Somalia have?

Current generation capacity is 106 megawatts, largely composed of expensive and pollutant diesel generators, though Somalia has great potential for solar and offshore wind power generation that can support a transition to green energy and reduce GHG emissions.

How much does electricity cost in Somalia?

Regarding costs per kilowatt-hour of electricity, Somalia has one of the highest unit prices in Africa. Somalia has higher tariffs than neighboring countries Kenya and Ethiopia, ranging from 50-125 cents/kWh compared to 0.15 cents/kWh in Kenya and 0.6 cents/kWh in Ethiopia. Somalia's energy sector is considered promising for growth and investment.

What is the energy sector like in Somalia?

Somalia's energy sector is considered promising for growth and investment. Small and medium-sized private sector companies are the main providers of electricity generation and distribution, primarily running diesel powered systems through off-grid networks.

Does Somalia have solar energy?

Solar Energy: Somalia has high renewable energy potential. Solar power could generate an excess of 2,000 kWh if the country reached its full capacity. Recently there has been progress in developing solar energy systems in the country by private sector electricity companies.

What is the future of LPG in Somalia?

The LPG sector has high potential for growth and expansion in the country, including the development of onshore offloading bays, distribution logistics, retail, and franchising. Solar Energy: Somalia has high renewable energy potential. Solar power could generate an excess of 2,000 kWh if the country

reached its full capacity.

Does Somalia have wind power?

Wind Energy: Studies suggest Somalia has high potential for onshore wind power and could generate between 30,000 to 45,000 MW. A pre-conflict 1991 article in the scientific journal Solar Energy assessed that “the wind resource appears suitable for power production in 85 percent of the country.”

Somalia energy storage power supply price

FLEXIBLE SETTING OF
MULTIPLE WORKING MODES



Mogadishu Photovoltaic Energy Storage Policy Powering Somalia ...

Summary: Explore how Mogadishu's new photovoltaic energy storage policy is transforming Somalia's renewable energy landscape. This article breaks down the policy framework, its ...

[Get a quote](#)

Somalia energy storage industry

Somalia opens tender for off-grid solar-plus-storage plants Somalia's Ministry of Energy and Water Resources has launched a tender for off-grid solar-plus-storage power plants to serve ...

[Get a quote](#)



Mogadishu energy storage ratio

How much power does Mogadishu have? Overall, the combined capacity of Mogadishu Power Supply and Blue-sky Energy was 30 MW and 18 MW of diesel engines, respectively. Although ...

[Get a quote](#)



somalia energy storage photovoltaic costs

Abstract-- With the increasing technological maturity and economies of scale for solar photovoltaic (PV) and electrical energy storage (EES), there is a potential for mass-scale deployment of

...

[Get a quote](#)

Commercial and Industrial ESS

Air Cooling / Liquid Cooling

- Budget Friendly Solution
- Renewable Energy Integration
- Modular Design for Flexible Expansion



Somalia Offshore Energy Storage Market (2025-2031)

Market Forecast By Type (Lithium-Ion Batteries, Hydrogen Storage, Flywheel Energy Storage, Compressed Air Energy Storage), By Application Area (Wind Energy Storage, Offshore ...

[Get a quote](#)

Latest Somalia Electrical Tenders

Design, Supply, Installation, Testing, and Commissioning of 6MWp Solar PV Power Plant with 10 MWh of Battery Energy Storage System for Wamo Energy Service Company ...

[Get a quote](#)



Somalia opens tender for 10 MW photovoltaic solar plant in Garowe

Somalia's Ministry of Energy and Water



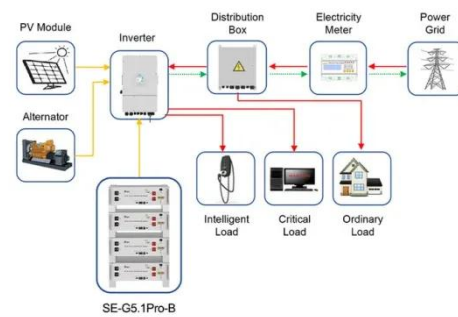
Resources has opened a tender for a 10-megawatt solar power plant integrated with a 20-megawatt-hour battery energy storage system.

[Get a quote](#)

Where is the somalia energy storage power plant

The 150 MW Andasol solar power station is a commercial parabolic trough solar thermal power plant, located in Spain. The Andasol plant uses tanks of molten salt to store captured solar ...

[Get a quote](#)



Application scenarios of energy storage battery products



Request for Bids (RFP) For Design, Supply, ...

2. The Ministry of Energy and Water Resources now invites sealed Bids from eligible Bidders for provision of the Design, Supply, Installation, Testing, and ...

[Get a quote](#)

Power Master Plan , Somalia

As part of producing this Somalia Power Master Plan, an assessment of the potential energy resources for producing and supplying electrical and heat energy

was crucial.

[Get a quote](#)



ENERGY PROFILE Somalia

primary energy supply. Energy trade includes all commodities in Chapter 27 of the armonised System (HS). Capacity utilisation is calculated as annual generation divided by year-end

[Get a quote](#)

somalia energy storage for grid stability

A hierarchical optimization technique for placement of battery energy storage system to improve grid transient stability
6 · Energy Storage is a new journal for innovative energy storage ...

[Get a quote](#)



Somalia: Energy Country Profile

Many of us want an overview of how much energy our country consumes, where it comes from, and if we're



making progress on decarbonizing our energy mix. This page provides the data for ...

[Get a quote](#)

Somaliland issues tender for 12MWp solar power plant

Somaliland's Ministry of Energy and Minerals has issued a tender for the supply, installation, testing and commissioning of a 12MWp Solar PV ...

[Get a quote](#)



Somalia Expands Renewable Energy Drive with ...

With Somalia's ongoing efforts to integrate renewable energy into its power infrastructure, projects like the Berbera solar storage initiative could ...

[Get a quote](#)

Somalia , Africa Energy Portal

Current generation capacity is 106 megawatts, largely composed of expensive and pollutant diesel generators, though Somalia has great

potential for solar and offshore wind power ...

[Get a quote](#)



What energy storage companies are there in Somalia

Zayla engineering Energy Storage Solutions. To address the intermittent nature of solar power and ensure a stable energy supply, we offer advanced energy storage solutions. These ...

[Get a quote](#)

Somalia: Energy Country Profile

Many of us want an overview of how much energy our country consumes, where it comes from, and if we're making progress on decarbonizing our energy mix. ...

[Get a quote](#)



Somalia Energy Storage Cabinet Prices 2024 Market Trends ...



Wondering how much energy storage cabinets cost in Somalia? This guide explores current transaction prices, market drivers, and procurement strategies for commercial-scale battery

...

[Get a quote](#)

Mogadishu Energy Storage

The Ministry of Energy and Water Resources (MoEWR) of Somalia has issued a competitive tender for the provision of solar and storage technology at 46 different sites in the country.

[Get a quote](#)



Summary of Somalia's energy supply with generating

Energy infrastructure, such as oil and gas pipelines, power generation systems, and storage facilities, provide core support for the exploitation and utilization of various types of energy.

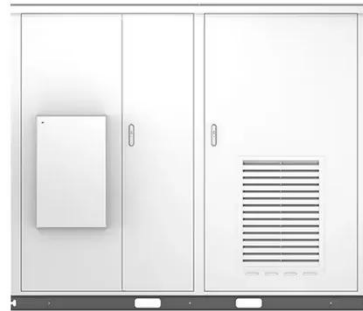
[Get a quote](#)

Somalia Expands Renewable Energy Drive with Berbera Solar-Storage

With Somalia's ongoing efforts to integrate renewable energy into its

power infrastructure, projects like the Berbera solar storage initiative could play a key role in reducing ...

[Get a quote](#)



SUMMARY OF SOMALIA'S ENERGY SUPPLY WITH ...

Summary of energy storage power supply sales work Energy Storage Systems Market was valued at USD 486.2 billion in 2023 and is projected to grow at a CAGR of 15.2% between ...

[Get a quote](#)

Contact Us

For catalog requests, pricing, or partnerships, please visit:
<https://www.zenius.co.za>