

SolarMax Energy Systems

Huawei South American energy storage products



Overview

What is Huawei energy management system?

Huawei provides an integrated approach to home energy management: One-Fits-All Design - The system includes inverters, energy storage solutions (ESS), optimizers, chargers, and cloud management. Hybrid On-Grid and Off-Grid Capabilities - Ensures uninterrupted power supply with seamless transition between grid and off-grid modes.

Is Huawei a good choice for residential solar?

As the demand for renewable energy continues to rise, Huawei has established itself as a leader in residential solar solutions. Huawei's residential solar products are designed to provide high efficiency, safety, and reliability while integrating smart technology for an optimized user experience.

What makes Huawei residential solar products different?

Huawei's residential solar products are designed to provide high efficiency, safety, and reliability while integrating smart technology for an optimized user experience. Here are the key aspects that make Huawei residential solar products stand out. 1. Unparalleled Safety Features.

What is energy storage system products list?

Energy Storage System Products List covers all Smart String ESS products, including LUNA2000, STS-6000K, JUPITER-9000K, Management System and other accessories product series.

Huawei South American energy storage products



Huawei underlines the importance of Solar Smart PV

...

Huawei, leading global vendor of digital power products and solutions, underlined the importance of energy storage and safety for ...

[Get a quote](#)

What are the energy storage products in South America?

What are the energy storage products in South America? 1. South America hosts a diverse array of energy storage solutions, including, 2. lithium-ion batteries, 3. pumped ...



[Get a quote](#)



Dear Ms./Mr.

Invitation Dear Ms./Mr. We are delighted to invite you to Solar & Storage Live Africa 2025, taking place at the NASREC Expo Centre in Johannesburg, South Africa. The summit will serve as a ...

[Get a quote](#)

The 2025 FIEE International

Expo is currently underway

1 day ago · As the largest and longest-running power electronics industry event in South America, the International Power Electronics Exhibition (FIEE) is now being held at the São Paulo Expo. ...

[Get a quote](#)



Huawei Digital Power Latam Highlights the Potential of Smart ...

Huawei, a global provider of infrastructure solutions and intelligent ICT devices, is participating in Intersolar South America, where it is presenting new technologies and ...

[Get a quote](#)

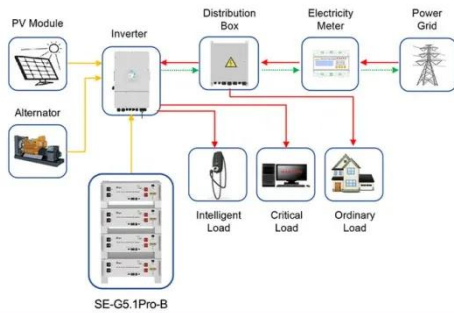
Huawei Brings Intelligent Energy Storage System in Bangladesh

Huawei has recently introduced an advanced energy storage system to make it easier to store and supply electricity generated by solar power plants. Ni Xiaopeng (Liam), ...

[Get a quote](#)



? Huawei Energy Storage , Reliable & Efficient , PVO



Application scenarios of energy storage battery products

Besides their large residential portfolio, Huawei also provides smart PV and ESS for businesses solutions that ensure a stable and sustainable energy supply. These solutions help companies ...

[Get a quote](#)

Matrix and Huawei Expand Partnership to Install BESS in Brazil

The expanded partnership between Matrix Energia and Huawei Digital Power focuses on implementing Battery Energy Storage Systems (BESS) to modernize Brazil's ...



[Get a quote](#)



Huawei Enterprise: Accelerate Industrial Intelligence

Huawei Enterprise provides a broad range of innovative ICT infrastructure products and solutions for vertical industry and enterprise customers worldwide.

[Get a quote](#)

The Most Important Aspects of Huawei Residential Solar Products

Discover the key aspects of Huawei residential solar products, including advanced safety features, high energy yield, smart energy management, and reliable all-in-one solutions ...

[Get a quote](#)



TILE ROOF SOLAR MOUNTING SYSTEM



STANDING SEAM ROOF SYSTEM



ADJUSTABLE TILT FLAT ROOF SYSTEM



TRIANGLE FLAT ROOF SYSTEM



LUNA2000-215 Series: Smart Energy Storage ...

Discover the Huawei LUNA2000-215 Series, a smart and efficient energy storage solution for your home. Enhance your solar energy system with reliable ...

[Get a quote](#)

About Us , Vision , Huawei Digital Power

About Us Huawei Digital Power is committed to integrating digital and power electronics technologies, developing clean power, and enabling energy digitalization to drive energy ...

[Get a quote](#)



Intelligent, Green Energy for a Better Planet

Various new energy storage technologies, such as compressed-air energy storage, electrochemical energy



- ✓ 50KW/100KWH
- ✓ HIGHER POWER OUTPUT IN OFF-GRID MODE
- ✓ CONVENIENT OPERATION & MAINTENANCE
- ✓ PRE-WIRED

storage, and thermal (cold) energy storage, ...

[Get a quote](#)

Latin America's energy storage market set to hit 23 GW by 2034

19 hours ago · A new report forecasts that Chile will lead the region in energy storage capacity, followed by Mexico and the Dominican Republic - driven by supportive regulatory frameworks ...



[Get a quote](#)



What are Huawei's energy storage products?

Huawei has an extensive portfolio of energy storage products designed to meet various needs in renewable energy storage and optimize energy management systems. 1. The ...

[Get a quote](#)

SmartLi UPS , Lithium battery UPS , Huawei

SmartLi Huawei SmartLi is a Huawei-

developed battery energy storage system solution that provides backup power for medium- and large-sized data centers ...

[Get a quote](#)



What are Huawei's energy storage products?

Yes, Huawei's energy storage products can be particularly advantageous for off-grid applications. These systems allow users to store energy generated by renewable sources, ...

[Get a quote](#)

Smart Renewable Energy Generator: Writing a New

By integrating digital, power electronics, thermal management, and energy storage management technologies (collectively known as 4T: bit, watt, ...

[Get a quote](#)



Unveiling the Unique Traits of Regional Residential ...

In the North American market, the focus has shifted away from locally manufactured products and engaging in

price wars is no longer seen ...

[Get a quote](#)



The Most Important Aspects of Huawei Residential ...

Discover the key aspects of Huawei residential solar products, including advanced safety features, high energy yield, smart energy ...

[Get a quote](#)



What does Huawei Energy Storage produce? , NenPower

Huawei Energy Storage produces a comprehensive range of energy storage solutions designed to enhance energy efficiency, support renewable energy integration, and ...

[Get a quote](#)

Intelligent, Green Energy for a Better Planet

Various new energy storage technologies, such as compressed-air energy storage, electrochemical energy

storage, and thermal (cold) energy storage, will coexist to meet system ...

[Get a quote](#)



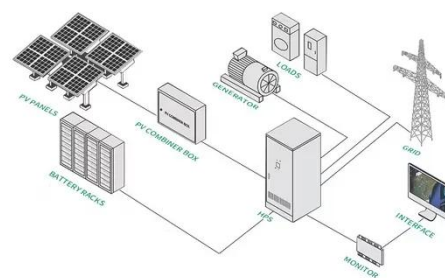
Energy Storage System Products List , HUAWEI Smart PV Global

Energy Storage System Products List covers all Smart String ESS products, including LUNA2000, STS-6000K, JUPITER-9000K, Management System and other accessories product series.

[Get a quote](#)

Leading Solar Solutions for a Greener Future , HUAWEI Smart ...

It provides smart PV solutions for residential, commercial, industrial, utility scale, energy storage systems, and microgrids. It builds a product ecosystem centered on solar inverters, charge ...



[Get a quote](#)

Residential Products List , HUAWEI Smart PV Global



Residential Products List covers all household photovoltaic products, including inverters, energy storage, optimizers, controllers and other household ...

[Get a quote](#)

Huawei Brings Intelligent Energy Storage System in Bangladesh

Dhaka, Bangladesh, 16 May 2025? Huawei has recently introduced an advanced energy storage system to make it easier to store and supply electricity generated by ...



[Get a quote](#)

Contact Us

For catalog requests, pricing, or partnerships, please visit:
<https://www.zenius.co.za>