

SolarMax Energy Systems

How to use energy storage battery containers



Overview

What is a containerized battery energy storage system?

Containerized Battery Energy Storage Systems (BESS) are essentially large batteries housed within storage containers. These systems are designed to store energy from renewable sources or the grid and release it when required. This setup offers a modular and scalable solution to energy storage.

How important is a battery energy storage container?

Container size alone doesn't determine a BESS system's effectiveness — design and layout also matter. A well-structured battery energy storage container optimizes internal airflow, reduces cable loss, and ensures better thermal control.

How do I choose a Bess containerized battery energy storage system?

These containerized battery energy storage systems are widely used in commercial, industrial, and utility-scale applications. But one of the most important factors in choosing the right solution is understanding BESS container size — and how it impacts performance, cost, and scalability.

How do I choose a containerized energy storage system?

Choosing between these sizes depends on project needs, available space, and future scalability. Regardless of format, each containerized energy storage system includes key components such as battery racks, BMS, EMS, cooling, and fire protection.

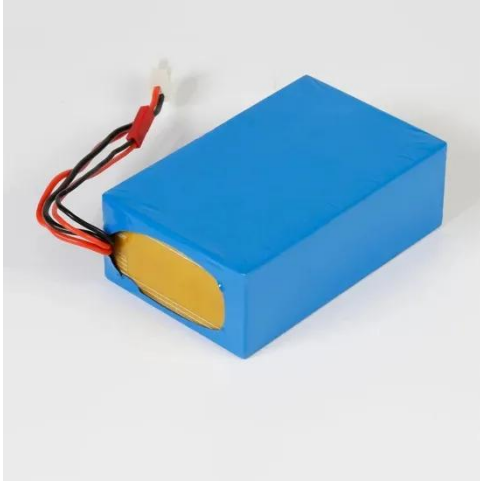
What size battery energy storage container do I Need?

From small 20ft units powering factories and EV charging stations, to large 40ft containers stabilizing microgrids or utility loads, the right battery energy storage container size can make a big difference.

Can I add more container units to my energy storage system?

Each container unit is a self-contained energy storage system, but they can be combined to increase capacity. This means that as your energy demands grow, you can incrementally expand your CESS by adding more container units, offering a scalable solution that grows with your needs.

How to use energy storage battery containers



Shipping Container Energy Storage System Guide

Essentially, a shipping container energy storage system is a portable, self-contained unit that provides secure and robust storage for electricity generated from ...

[Get a quote](#)

Battery energy storage systems , BESS

A Battery Energy Storage System (BESS) is a technology-based solution that stores electrical energy using rechargeable batteries for later use. These ...

[Get a quote](#)



Guide to Containerized Battery Storage: ...

This comprehensive guide delves into the essence of Containerized Battery Storage, dissecting its technical, economic, and environmental facets to unveil ...

[Get a quote](#)



Battery Storage Containers -

Future of Sustainable Energy Solution

What Are Battery Storage Containers?
Battery storage containers are pre-engineered container units equipped with high-capacity batteries, often lithium-ion, and energy ...

[Get a quote](#)



Containerized Battery Energy Storage Systems (BESS)

Huijue's containers are designed for durability and efficiency, integrating advanced battery technology with smart management systems. These turnkey solutions are ideal for industrial ...

[Get a quote](#)

Battery Storage Shipping Container , #1 Popular ...

Did you know that battery storage shipping containers are becoming extremely popular for storing renewable energy? They might just change the game when ...

[Get a quote](#)



Battery energy storage system (BESS) container, ...

We are at the forefront of the global renewable energy storage industry, delivering customized Battery Energy

Storage System (BESS) containers / enclosures to ...

[Get a quote](#)



BESS Container Sizes: How to Choose the Right Capacity

In this guide, we'll explore standard container sizes, key decision factors, performance considerations, and how to select the best size for your application. When ...

[Get a quote](#)



Detailed Understanding of the Containerized Battery System

Energy storage is being revolutionized by the containerized battery system, which provides a flexible, scalable, and effective solution for a range of applications.

[Get a quote](#)



Containerized energy storage , Microgreen.ca

World-leading battery technology The core technology used in Microgreen containerized energy storage solutions

are top quality Lithium Ferrous ...

[Get a quote](#)



Containerized Energy Storage System Complete battery ...

What is containerized ESS? ABB's containerized energy storage system is a complete, self-contained battery solution for large-scale marine energy storage. The batteries and all control, ...

[Get a quote](#)

Guide to Containerized Battery Storage: Fundamentals, ...

This comprehensive guide delves into the essence of Containerized Battery Storage, dissecting its technical, economic, and environmental facets to unveil its potential in revolutionizing ...

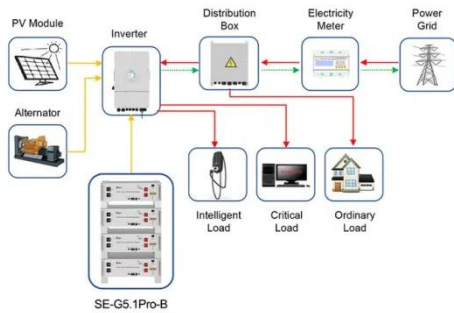
[Get a quote](#)



Containerized Energy Storage System: How it Works and Why ...

...

What is a Containerized Energy-Storage



Application scenarios of energy storage battery products

System? A Containerized Energy-Storage System, or CESS, is an innovative energy storage solution packaged within a modular, ...

[Get a quote](#)

Energy Storage , Saft , Batteries to energize the world

For example, in Texas, Saft provided battery storage systems to store energy from solar panels, and in Sweden, they replaced diesel generators with battery storage systems for data center ...



[Get a quote](#)



What are battery energy storage containers? , NenPower

Battery energy storage containers have a wide range of applications that demonstrate their versatility and necessity. One prominent use is in renewable energy ...

[Get a quote](#)

Guide To Containerised Battery Storage: Transforming Energy

...

In the pursuit of sustainable energy solutions, containerised battery storage (CBS) emerges as a frontrunner. This guide comprehensively explores the essence of CBS, ...

[Get a quote](#)



How a Containerized Battery Energy Storage System Can ...

In this article, we'll explore how a containerized battery energy storage system works, its key benefits, and how it is changing the energy landscape--especially when ...

[Get a quote](#)

What are battery energy storage containers? , NenPower

Battery energy storage containers have a wide range of applications that demonstrate their versatility and necessity. One prominent ...

[Get a quote](#)



Containerized Battery Energy Storage System (BESS): 2024 Guide

Discover the benefits and features of



Containerized Battery Energy Storage Systems (BESS). Learn how these solutions provide efficient, scalable energy storage for ...

[Get a quote](#)

BATTERY ENERGY STORAGE SYSTEM CONTAINER, ...

Battery Energy Storage System (BESS) containers are a cost-effective and modular solution for storing and managing energy generated from renewable sources. With their ability to provide ...

[Get a quote](#)



Guide To Containerised Battery Storage: Transforming Energy

...

Containerised battery storage (CBS) encapsulates battery systems within a shipping container-like structure, offering a modular, mobile and scalable approach to energy ...

[Get a quote](#)

Shipping Container Energy Storage System Guide

A shipping container energy storage system is a sustainable solution that repurposes shipping containers to house batteries and other components used to store energy.

[Get a quote](#)



ESS



BESS Container Sizes: How to Choose the Right ...

In this guide, we'll explore standard container sizes, key decision factors, performance considerations, and how to select the best size for your ...

[Get a quote](#)

A Comprehensive Guide to Commercial Lithium-ion Containerized Battery

This affects the usable energy storage rating and ensures battery longevity. Cost Parameters of Commercial Li-ion Energy Storage Systems Li-ion Battery Price: The price of Li ...

[Get a quote](#)



How a Containerized Battery Energy Storage System ...

In this article, we'll explore how a containerized battery energy storage



system works, its key benefits, and how it is changing the energy ...

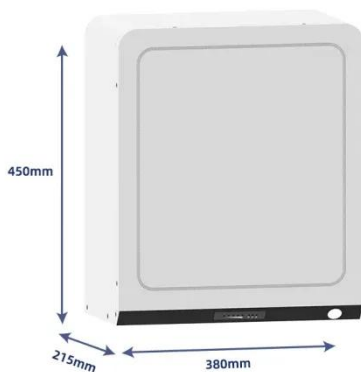
[Get a quote](#)

Development of Containerized Energy Storage System with ...

Some energy storage systems such as pumped hydro storage have existed, but, their large size of such facilities limited potential installation sites, and the energy/utilization efficiency has ...



[Get a quote](#)



HOW TO DESIGN A BESS (BATTERY ENERGY STORAGE SYSTEM) CONTAINER?

Designing a Battery Energy Storage System (BESS) container in a professional way requires attention to detail, thorough planning, and adherence to industry best practices. ...

[Get a quote](#)

Containerized Battery Energy Storage System ...

Discover the benefits and features of

Containerized Battery Energy Storage Systems (BESS). Learn how these solutions provide efficient, ...

[Get a quote](#)



Contact Us

For catalog requests, pricing, or partnerships, please visit:
<https://www.zenius.co.za>