

SolarMax Energy Systems

Energy storage battery delivery



Overview

What is a battery energy storage system?

A battery energy storage system (BESS) is an electrochemical device that charges (or collects energy) from the grid or a power plant and then discharges that energy at a later time to provide electricity or other grid services when needed.

Why is energy storage important?

Energy storage is critical to advancing our resilient energy future. How do battery energy storage systems work?

Simply put, utility-scale battery storage systems work by storing energy in rechargeable batteries and releasing it into the grid at a later time to deliver electricity or other grid services.

How do utility-scale battery storage systems work?

Simply put, utility-scale battery storage systems work by storing energy in rechargeable batteries and releasing it into the grid at a later time to deliver electricity or other grid services. Without energy storage, electricity must be produced and consumed at exactly the same time.

What is energy storage & how does it work?

Without energy storage, electricity must be produced and consumed at exactly the same time. Energy storage systems allow electricity to be stored—and then discharged—at the most strategic and vital times, and locations. Co-located energy storage systems are installed alongside renewable generation sources such as solar farms.

Why is battery storage important?

Battery storage is particularly useful for storing surplus electricity for optimal use and rapid delivery during spikes in energy demand (peak demand). This is

especially useful for both energy delivery and price stabilization during elevated temperatures, power outages and unforeseen weather events.

How can energy storage products be integrated?

Integration of energy storage products begins at the cell level and manufacturers have adopted different approaches toward modular design of internal systems, all with the goal of improving manufacturing efficiencies, reducing maintenance time and improving operational reliability.

Energy storage battery delivery



Eos and FlexGen partnering on first US-made long ...

Utilities and independent power producers hoping to capitalize on domestic content tax adders for battery energy storage solutions (BESS) are ...

[Get a quote](#)

A road map for battery energy storage system execution

Integration of energy storage products begins at the cell level and manufacturers have adopted different approaches toward modular design of ...

[Get a quote](#)



Energy Storage , Black & Veatch

Experience seamless integration and superior performance across battery energy storage systems (BESS), generation and grid systems, leveraging our expertise in complementary ...

[Get a quote](#)

2024 Global energy storage

system (ESS) shipment ranking

Meanwhile, global energy storage demand expanded across regions, driving companies to develop worldwide R& D, production, delivery, and operations. Despite short ...

[Get a quote](#)



Sungold Power PowerMax 51.2V 314AH Outdoor Energy Storage Battery

The Sungold Power PowerMax 51.2V 314AH is a high-capacity outdoor energy storage solution engineered to maximize reliability and efficiency. With 16.07kWh capacity and 314Ah rated ...

[Get a quote](#)

Battery Energy Storage System (BESS) 101

Simply put, utility-scale battery storage systems work by storing energy in rechargeable batteries and releasing it into the grid at a later time to deliver ...

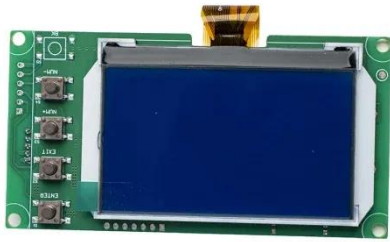
[Get a quote](#)



What express delivery method should I use for energy storage ...

...

The selection of an appropriate express



delivery method for energy storage batteries is a multifaceted decision that hinges upon numerous factors, including speed, costs, ...

[Get a quote](#)

Energy Storage , Black & Veatch

Experience seamless integration and superior performance across battery energy storage systems (BESS), generation and grid systems, leveraging our ...

[Get a quote](#)



Battery Storage 101 , Enel North America

In this introduction to battery storage, find out how installing a battery energy storage system at your facility can help you reduce your utility bills and unlock energy flexibility revenues.

[Get a quote](#)

A road map for battery energy storage system execution

Integration of energy storage products begins at the cell level and manufacturers have adopted different



approaches toward modular design of internal systems, all with the goal ...

[Get a quote](#)



Battery energy storage systems , BESS

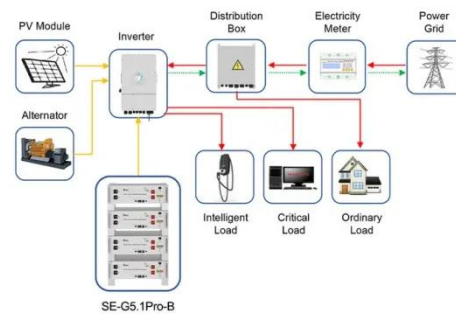
Battery Energy Storage Systems, or BESS, are rechargeable batteries that can store energy from different sources and discharge it when needed. BESS consist of one or more batteries and ...

[Get a quote](#)

2024 Global energy storage system (ESS) shipment ranking

Despite short-term geopolitical challenges, the energy transition will drive a 25% growth in energy storage shipments in 2025, with total shipments expected to exceed 300 ...

[Get a quote](#)



Application scenarios of energy storage battery products

Energy Storage , Saft , Batteries to energize the world

For example, in Texas, Saft provided battery storage systems to store energy from solar panels, and in Sweden, they

replaced diesel generators with battery storage systems for data center ...

[Get a quote](#)



Dominion Energy explores pioneering battery storage ...

About Eos Energy Enterprises Eos Energy Enterprises, Inc. is accelerating the shift to clean energy with positively ingenious solutions that ...

[Get a quote](#)

ESS



Grid-Scale Battery Storage: Frequently Asked Questions

A battery energy storage system (BESS) is an electrochemical device that charges (or collects energy) from the grid or a power plant and then discharges that energy at a later time to ...

[Get a quote](#)

Global energy storage cell shipment: H1 2024 ...

The global energy storage cell shipment stood at 114.5 GWh in the first half of

2024, of which 101.9 GWh was going to utility-scale (including ...

[Get a quote](#)



Battery Storage 101 , Enel North America

In this introduction to battery storage, find out how installing a battery energy storage system at your facility can help you reduce your utility bills and unlock ...

[Get a quote](#)

Energy Storage

How Battery Storage Works 1. Energy Generation. A hybrid of traditional and renewable energy resources powers the smart grid. 2. Energy Delivery. Power transmission and distribution ...

[Get a quote](#)



Battery energy storage systems , BESS

Battery Energy Storage Systems, or BESS, are rechargeable batteries that can store energy from different sources

and discharge it when needed. BESS ...

[Get a quote](#)



Understanding Battery Energy Storage Systems: How ...

Discover what a battery energy storage system is and how it functions to store and distribute energy efficiently in this informative blog post.

[Get a quote](#)



Power Delivery Systems for Efficient Battery Storage

Power delivery systems are the backbone of modern battery energy storage solutions, ensuring efficient energy flow, safety, and reliability across various applications.

[Get a quote](#)



Mobile Energy Storage , Power Edison

Power Edison is a mobile energy storage developer. Our new TerraCharge platform incorporates a wide range of

critical features requested by our ...

[Get a quote](#)



Battery energy storage systems , BESS

Empowering sustainable energy systems with turnkey battery storage solutions, engineering excellence, service, and unwavering support for on-time, on-budget delivery.

[Get a quote](#)

Mobile batteries from Greener Power Solutions

Mobile batteries for clean energy, everywhere. An alternative for diesel generators: quiet, clean power for construction, events, grid delays

[Get a quote](#)



Battery Energy Storage System (BESS) 101, Lightsource bp

Simply put, utility-scale battery storage systems work by storing energy in rechargeable batteries and releasing it

into the grid at a later time to deliver electricity or other grid services. Without ...

[Get a quote](#)



Scana Company Signs Contract For The Delivery Of Battery Energy Storage

Scana-owned PSW Power & Automation AS has signed a contract for the delivery of a Battery Energy Storage System (BESS) with a total capacity of 11.3MWh.

[Get a quote](#)



Contact Us

For catalog requests, pricing, or partnerships, please visit:
<https://www.zenius.co.za>